

New
Product



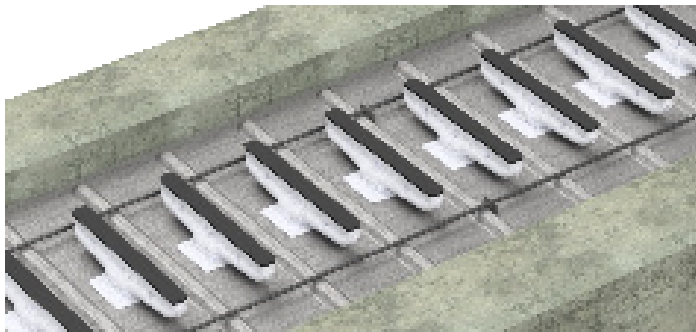
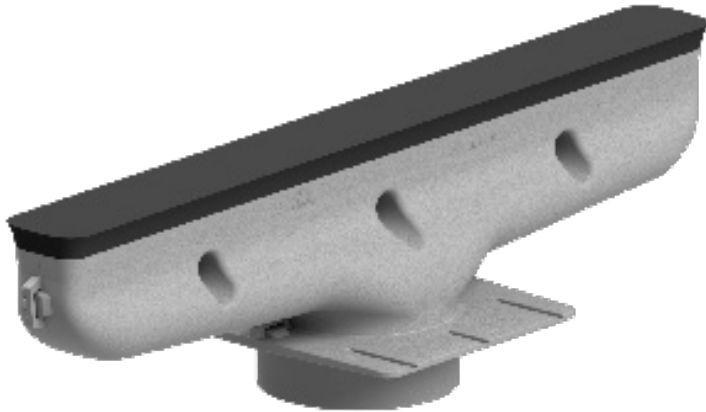
POTATO STORAGE SOLUTION

3" Straight Flange



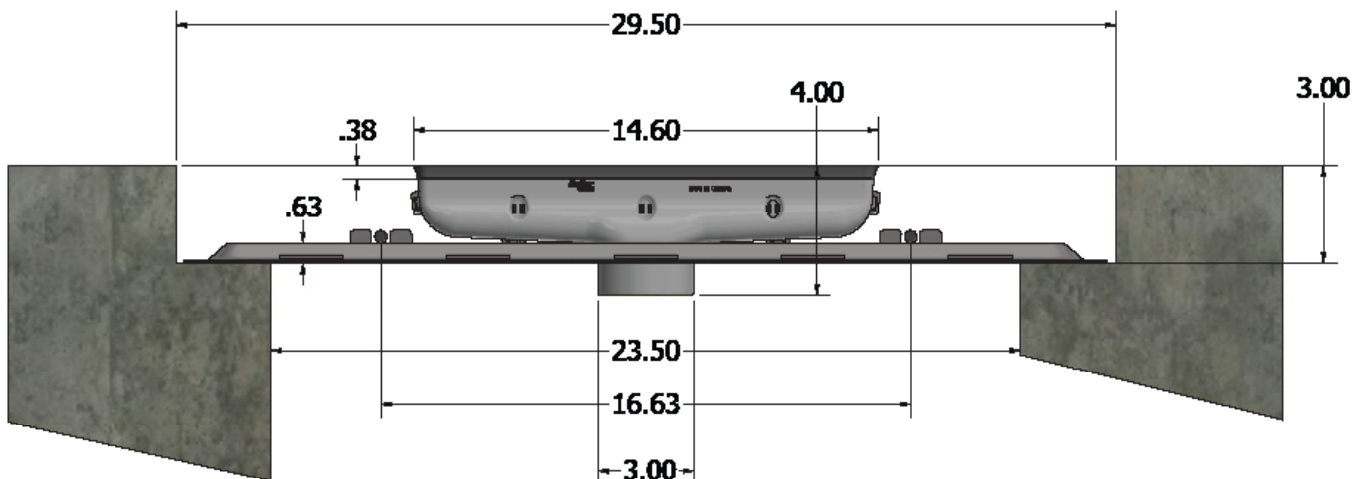
**NEW
DESIGN**

POTATO STORAGE SOLUTION



- Latest innovation for replacing outdated wood flumes with concrete air floor
- Low profile 3" potato vent with our patented removable insert
- New and improved design to prevent concrete from spalling and cracking at edge
- Plastic is automatically recessed 3/8"
- Reusable rubber insert

- Customized package available based on existing flume dimensions



- 4 foot (16 gauge) galvanized steel floor panels are easy to handle and automatically lock together
- Rebar locating tabs included to ensure precise rebar placement
- 3" finished slab easily supports heavy equipment used in potato storage facilities
- 450 PSI load rating after 28 days





Canadian Dealers:

P.E.I.
Gorman Controls Ltd.
Ashley Gorman
PH: 902.658.2550
mail@gormancontrols.com
www.gormancontrols.com

Manitoba
Kanpor Construction
Ron Friesen
PH 204.685.2891
kanpor@mymts.net

Alberta
Q-Six Electric Ltd
Dean Quinn
PH: 403.634.0371
deanquinn@telus.net



Box 490 MacGregor, MB R0H 0R0 CANADA
ph: 204.252.2333 fax: 204.252.2928 www.betterair.ca